

ACI 117-10

**Specification for Tolerances for
Concrete Construction and Materials
(ACI 117-10) and Commentary**

An ACI Standard

Reported by ACI Committee 117



American Concrete Institute®



First printing
June 2010

American Concrete Institute®
Advancing concrete knowledge

Specification for Tolerances for Concrete Construction and Materials and Commentary

Copyright by the American Concrete Institute, Farmington Hills, MI. All rights reserved. This material may not be reproduced or copied, in whole or part, in any printed, mechanical, electronic, film, or other distribution and storage media, without the written consent of ACI.

The technical committees responsible for ACI committee reports and standards strive to avoid ambiguities, omissions, and errors in these documents. In spite of these efforts, the users of ACI documents occasionally find information or requirements that may be subject to more than one interpretation or may be incomplete or incorrect. Users who have suggestions for the improvement of ACI documents are requested to contact ACI. Proper use of this document includes periodically checking for errata at www.concrete.org/committees/errata.asp for the most up-to-date revisions.

ACI committee documents are intended for the use of individuals who are competent to evaluate the significance and limitations of its content and recommendations and who will accept responsibility for the application of the material it contains. Individuals who use this publication in any way assume all risk and accept total responsibility for the application and use of this information.

All information in this publication is provided “as is” without warranty of any kind, either express or implied, including but not limited to, the implied warranties of merchantability, fitness for a particular purpose or non-infringement.

ACI and its members disclaim liability for damages of any kind, including any special, indirect, incidental, or consequential damages, including without limitation, lost revenues or lost profits, which may result from the use of this publication.

It is the responsibility of the user of this document to establish health and safety practices appropriate to the specific circumstances involved with its use. ACI does not make any representations with regard to health and safety issues and the use of this document. The user must determine the applicability of all regulatory limitations before applying the document and must comply with all applicable laws and regulations, including but not limited to, United States Occupational Safety and Health Administration (OSHA) health and safety standards.

Order information: ACI documents are available in print, by download, on CD-ROM, through electronic subscription, or reprint and may be obtained by contacting ACI.

Most ACI standards and committee reports are gathered together in the annually revised *ACI Manual of Concrete Practice* (MCP).

American Concrete Institute
38800 Country Club Drive
Farmington Hills, MI 48331
U.S.A.

Phone: 248-848-3700
Fax: 248-848-3701

www.concrete.org

ISBN 978-0-87031-379-0

Specification for Tolerances for Concrete Construction and Materials (ACI 117-10) and Commentary

An ACI Standard

Reported by ACI Committee 117

Eldon G. Tipping
Chair

Scott Michael Anderson
Secretary

Scott M. Anderson
Karl J. Bakke
David K. Ballast
Bryan M. Birdwell
Gregory P. Birley
Thomas J. Downs
Ron Eldridge

Allen Face
Robert A. Halvorson
Mark G. Josten
Richard L. Knox
Jeff L. LaRue
Michael W. Lee
Michael L. Leming

Donald M. Marks
Ross S. Martin
Steven W. McCrary
Arthur W. McKinney
Colin T. Milberg
William R. Nash
Bob L. Payne

David N. Peterson
William S. Phelan
B. Duke Pointer
Peter J. Ruttura
Michael J. Schneider
Bruce A. Suprenant
Michael A. West

Specification synopsis: This specification provides standard tolerances for concrete construction and materials. This document is intended to be used by specification writers and ACI committees writing standards as the reference document for establishing tolerances for concrete construction and materials.

Commentary synopsis: This report is a commentary on the "Specifications for Tolerances for Concrete Construction and Materials (ACI 117)." It is intended to be used with ACI 117 for clarity of interpretation and insight into the intent of the committee regarding the application of the tolerances set forth therein.

Keywords: architectural concrete; concrete; construction; drilled piers; formwork; foundation; mass concrete; pier; precast concrete; prestressed concrete; reinforced concrete; reinforcement; specification; splice; tilt-up concrete; tolerances.

ACI Committee Reports, Guides, Manuals, and Commentaries are intended for guidance in planning, designing, executing, and inspecting construction. This document is intended for the use of individuals who are competent to evaluate the significance and limitations of its content and recommendations and who will accept responsibility for the application of the material it contains. The American Concrete Institute disclaims any and all responsibility for the stated principles. The Institute shall not be liable for any loss or damage arising therefrom.

Reference to this document shall not be made in contract documents. If items found in this document are desired by the Architect/Engineer to be a part of the contract documents, they shall be restated in mandatory language for incorporation by the Architect/Engineer.

ACI 117 Specification and Commentary are presented in a side-by-side column format, with code text placed in the left column and the corresponding commentary text aligned in the right column. To distinguish the specification from the commentary, the specification has been printed in Helvetica, which is the typeface for this paragraph.

The Commentary is printed in Times Roman, which is the typeface for this paragraph. Commentary section numbers are preceded by the letter "R" to distinguish them from specification section numbers. The commentary is not a part of ACI Specification 117-10.

ACI 117-10 supersedes ACI 117-06 and was adopted March 1, 2010 and published June 2010.

Copyright © 2010, American Concrete Institute.

All rights reserved including rights of reproduction and use in any form or by any means, including the making of copies by any photo process, or by electronic or mechanical device, printed, written, or oral, or recording for sound or visual reproduction or for use in any knowledge or retrieval system or device, unless permission in writing is obtained from the copyright proprietors.

CONTENTS**Introduction, p. 117-3****Section 1—General requirements, p. 117-5**

- 1.1—Scope
- 1.2—Requirements
- 1.3—Definitions
- 1.4—Referenced standards

Section 2—Materials, p. 117-13

- 2.1—Reinforcing steel fabrication and assembly
- 2.2—Reinforcement location
- 2.3—Placement of embedded items, excluding dowels in slabs-on-ground
- 2.4—Concrete batching
- 2.5—Concrete properties

Section 3—Foundations, p. 117-25

- 3.1—Deviation from plumb
- 3.2—Deviation from location
- 3.3—Deviation from elevation
- 3.4—Deviation from plane
- 3.5—Deviation from cross-sectional dimensions of foundations

Section 4—Cast-in-place concrete for buildings, p. 117-31

- 4.1—Deviation from plumb
- 4.2—Deviation from location
- 4.3—Not used
- 4.4—Deviation from elevation
- 4.5—Deviation from cross-sectional dimensions
- 4.6—Deviation from formed opening width or height
- 4.7—Deviation from relative elevations or widths for stairs
- 4.8—Deviation from slope or plane
- 4.9—Sawcut depth in slab-on-ground

Section 5—Cast-in-place concrete at interface with precast concrete (except tilt-up concrete), p. 117-45

- 5.1—Deviation from elevation—cast-in-place concrete
- 5.2—Deviation from location—cast-in-place concrete
- 5.3—Deviation from dimension—cast-in-place concrete
- 5.4—Deviation from plane at bearing surface—cast-in-place concrete measured over length or width of bearing surface

Section 6—Masonry, p. 117-51

This section has been removed.

Section 7—Cast-in-place, vertically slipformed building elements, p. 117-53

- 7.1—Deviation from plumb for buildings and cores
- 7.2—Horizontal deviation
- 7.3—Cross-sectional dimensions
- 7.4—Openings through elements
- 7.5—Embedded plates
- 7.6—Deviation from plumb for slipformed and jump-formed silos

Section 8—Mass concrete, p.117-55

- 8.1—Deviation from plumb

- 8.2—Horizontal deviation
- 8.3—Vertical deviation
- 8.4—Cross-sectional dimension
- 8.5—Deviation from plane

Section 9—Canal lining, p. 117-57

- 9.1—Horizontal deviation
- 9.2—Vertical deviation
- 9.3—Cross-sectional dimensions

Section 10—Monolithic water-conveying tunnels, siphons, conduits, and spillways, p. 117-59

- 10.1—Horizontal deviation
- 10.2—Vertical deviation
- 10.3—Cross-sectional dimensions
- 10.4—Deviation from plane

Section 11—Cast-in-place bridges, p. 117-61

- 11.1—Deviation from plumb
- 11.2—Horizontal deviation
- 11.3—Vertical deviation
- 11.4—Length, width, or depth of specified elements
- 11.5—Deviation from plane
- 11.6—Deck reinforcement cover
- 11.7—Bearing pads

Section 12—Exterior pavements and sidewalks, p. 117-63

- 12.1—Horizontal deviation
- 12.2—Vertical deviation of surface

Section 13—Chimneys and cooling towers, p. 117-65

- 13.1—Deviation from plumb
- 13.2—Outside shell diameter
- 13.3—Wall thickness

Section 14—Cast-in-place nonreinforced pipe, p.117-67

- 14.1—Wall thickness
- 14.2—Pipe diameter
- 14.3—Offsets
- 14.4—Surface indentations
- 14.5—Grade and alignment
- 14.6—Concrete slump

Section 15—Tilt-up concrete, p. 117-69

- 15.1—Panel forming
- 15.2—Deviation from plumb
- 15.3—Deviation from elevation
- 15.4—Deviation from location
- 15.5—Deviation from slope or plane
- 15.6—Deviation from relative widths

Notes to Specifier, p. 117-73

General notes

Foreword to checklists, p. 117-75**Mandatory Requirements Checklist, p. 117-75****Optional Requirements Checklist, p. 117-76**

INTRODUCTION

SPECIFICATION

COMMENTARY

This commentary pertains to “Specifications for Tolerances for Concrete Construction and Materials (ACI 117-10).” The purpose of the commentary is to provide an illustrative and narrative complement to the specification; it is not a part of the specification.

No structure is exactly level, plumb, straight, and true. Tolerances are a means to establish permissible variation in dimension and location, giving both the designer and the contractor limits within which the work is to be performed. They are the means by which the designer conveys to the contractor the performance expectations upon which the design is based or that the project requires. Such specified tolerances should reflect design assumptions and project needs, being neither overly restrictive nor lenient.

Necessity rather than desirability should be the basis of selecting tolerances.

As the title “Specifications for Tolerances for Concrete Construction and Materials (ACI 117)” implies, the tolerances given are standard or usual tolerances that apply to various types and uses of concrete construction. They are based on normal needs and common construction techniques and practices. Specified tolerances at variance with the standard values can cause both increases and decreases in the cost of construction.

Economic feasibility—The specified degree of accuracy has a direct impact on the cost of production and the construction method. In general, the higher degree of construction accuracy required, the higher the construction cost, and the lower the degree of construction accuracy, the higher the cost of required repairs.

Relationship of all components—The required degree of accuracy of individual parts can be influenced by adjacent units and materials, joint and connection details, and the possibility of the accumulation of tolerances in critical dimensions.

Construction techniques—The feasibility of a tolerance depends on available craftsmanship, technology, materials, and project management.

Compatibility—Designers are cautioned to use finish and architectural details that are compatible with the type and anticipated method of construction. The finish and architectural details used should be compatible with achievable concrete tolerances.

SPECIFICATION**COMMENTARY****Contract document references**

ACI specification documents—The following American Concrete Institute standards provide mandatory tolerance requirements for concrete construction and can be referenced in Contract Documents:

117	Specification for Tolerances for Concrete Construction and Materials and Commentary
ITG-7	Specification for Tolerances for Precast Concrete
301	Specifications for Structural Concrete
303.1	Standard Specification for Cast-in-Place Architectural Concrete
336.1	Specification for the Construction of Drilled Piers
530.1/ASCE 6/	
TMS 602	Specification for Masonry Structures and Commentary

ACI informative documents—The documents of the following American Concrete Institute committees cover practice, procedures, and state-of-the-art guidance for the categories of construction as listed:

General building.....	ACI 302, 303, 304, 305, 311, 315, 336, 347
Special structures.....	ACI 207, 307, 313, 325, 332, 334, 358
Materials	211, 223
Other	228

SECTION 1—GENERAL REQUIREMENTS

SPECIFICATION

1.1—Scope

1.1.1 This specification designates standard tolerances for concrete construction.

1.1.2 The indicated tolerances govern unless otherwise specified.

Tolerances in this specification are for typical concrete construction and construction procedures and are applicable to exposed concrete and to architectural concrete. Materials that interface with or connect to concrete elements may have tolerance requirements that are not compatible with those contained in this document.

This specification does not apply to specialized structures, such as nuclear reactors and containment vessels, bins, prestressed circular structures, and single-family residential construction. It also does not apply to precast concrete or to shotcrete.

Tolerances for specialized concrete construction that is outside the scope of this specification shall be specified in Contract Documents.

1.1.3 A series of preconstruction tolerance coordination meetings shall be scheduled and held prior to the commencement of the Work. The Contractor, subcontractors, material suppliers, and other key parties shall attend. All parties shall be given the opportunity to identify any tolerance questions and conflicts that are applicable to the work with materials, prefabricated elements, and Work assembled/installed in the field by the Contractor.

1.2—Requirements

1.2.1 Concrete construction and materials shall comply with specified tolerances.

COMMENTARY

R1.1—Scope

R1.1.2 Specification of more restrictive tolerances for specialized construction, such as architectural concrete, often results in an increase in material cost and time of construction.

R1.1.3 Preconstruction tolerance coordination meetings provide an opportunity for key participants to identify and to resolve tolerance compatibility issues prior to construction.

R1.2—Requirements

An example of a specific application that uses a multiple of toleranced items that together yield a toleranced result is the location of the face of a concrete wall. The wall has a tolerance on location (Section 4.2.1), measured at the foundation of the wall, and is allowed to deviate from the specified plane (Sections 4.1 and 4.8.2). The application of the location tolerance (Section 4.2.1) cannot be used to increase the plumb tolerance contained in Section 4.1. Similarly, the tolerance on member thickness (Section 4.5) shall not be allowed to increase the tolerance envelope resulting from the application of Sections 4.1, 4.2.1, and 4.8.2. If the base of the wall is incorrectly located by the maximum amount allowed by Section 4.2.1, then the plumb tolerance (Section 4.1) dictates that the face of the wall move back toward the correct location, and at a rate that does not exceed the provisions of Section 4.8.2. Refer to Fig. R1.2.3.

SPECIFICATION

COMMENTARY

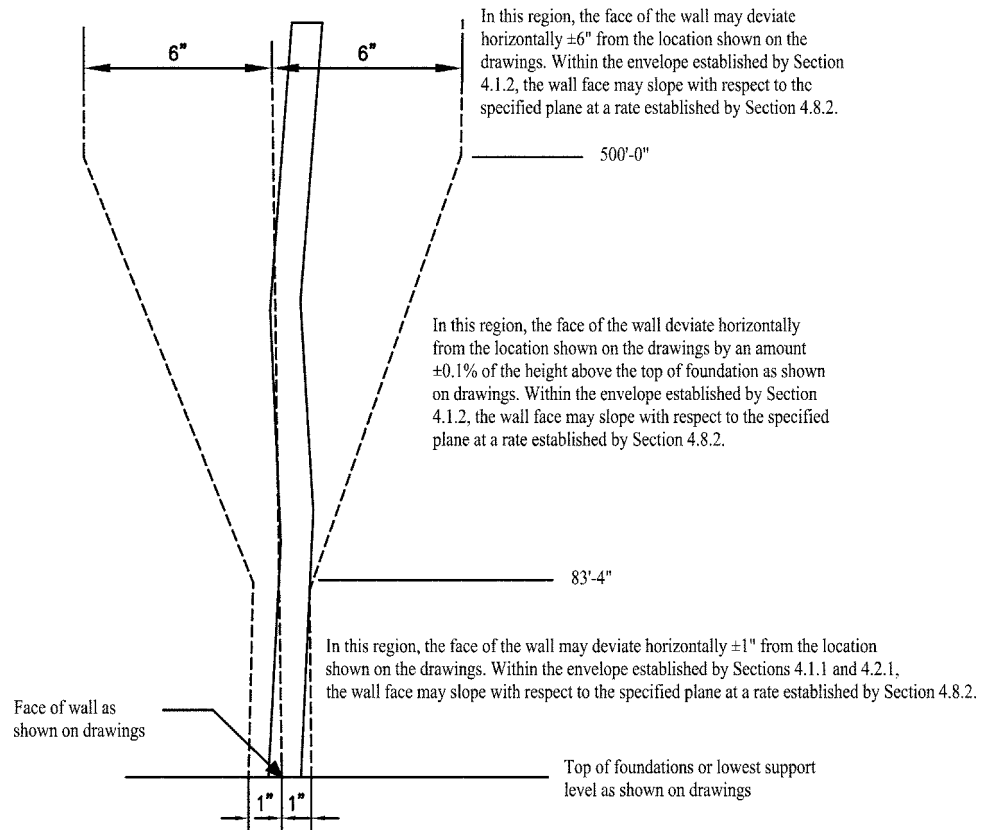


Fig. R1.2.3—Use of multiple of toleranced items to yield toleranced result.

1.2.2 Tolerances shall not extend the structure beyond legal boundaries. Tolerances are measured from the points, lines, and surfaces defined in Contract Documents. If application of tolerances causes the extension of the structure beyond legal boundaries, the tolerance must be reduced.

1.2.3 Tolerances are not cumulative. The most restrictive tolerance controls.

1.2.4 Plus (+) tolerance increases the amount or dimension to which it applies, or raises a deviation from level. Minus (–) tolerance decreases the amount or dimension to which it applies, or lowers a deviation from level. Where only one signed tolerance is specified (+ or –), there is no specified tolerance in the opposing direction.

R1.2.2 If the application of tolerances causes the extension of the structure beyond legal boundaries, the Architect/Engineer should be notified to initiate conflict resolution.

R1.2.3 Accumulations of individual tolerances on a single item should not be used to increase an established tolerance. Individual tolerances are unique to their specific application and should not be combined with other tolerances to form a tolerance envelope. The separately specified tolerances must remain separate and not cumulative.

Each tolerance stands alone when evaluating the acceptability of concrete construction. Refer to Fig. R1.2.3.

SPECIFICATION

1.2.5 If the tolerances in this document are exceeded for structural concrete, refer to Contract Documents for acceptance criteria. For other concrete, the Architect/Engineer may accept the element if it meets one of the following criteria:

- a) Exceeding the tolerances does not affect the structural integrity, legal boundaries, or architectural requirements of the element; or
- b) The element or total erected assembly can be modified to meet all structural and architectural requirements.

1.3—Definitions

ACI provides a comprehensive list of definitions through an online resource, “ACI Concrete Terminology,” <http://terminology.concrete.org>. Definitions provided here complement that resource.

Architect/Engineer—the architect, engineer, architectural firm, or engineering firm issuing Contract Documents or administering the Work under Contract Documents, or both.

arris—the sharp external corner edge that is formed at the junction of two planes or surfaces.

bowing—deviation of the edge or surface of a planar element from a line passing through any two corners of the element.

bundled bar equivalent area—total area of reinforcing bars contained in the bundle.

concrete, exposed—concrete surfaces formed so as to yield an acceptable texture and finish for permanent exposure to view.

Contract Documents—a set of documents supplied by the Owner to the Contractor that serve as the basis for construction; these documents contain contract forms, contract conditions, specifications, drawings, addenda, and contract changes.

Contractor—he person, firm, or entity under contract for construction of the Work.

COMMENTARY

R1.2.5 For acceptance criteria for structural concrete, refer to ACI 301, Section 1.7.

R1.3—Definitions

arris—refer to Fig. R1.3.1.

bowing—refer to Fig. R1.3.2.

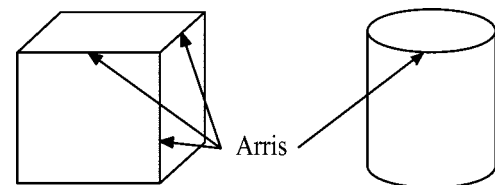


Fig. R1.3.1—Arris.

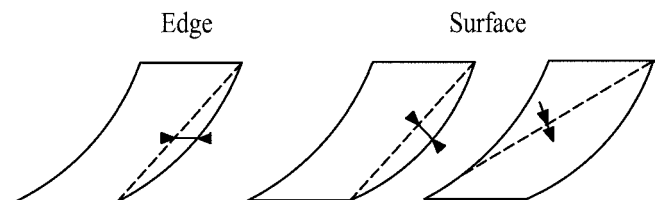


Fig. R1.3.2—Bowling.

SPECIFICATION

cover—the least distance between the surface of embedded reinforcement and the surface of the concrete.

deviation—departure from an established point, line, or surface; measured normal (perpendicular) to the reference line or surface.

deviation from plane—the distance between a point on a reference plane and the corresponding point on the actual plane.

COMMENTARY

cover—refer to Fig. R1.3.3.

deviation—refer to Fig. R1.3.4.

deviation from plane—refer to Fig. R1.3.5(a) and (b).

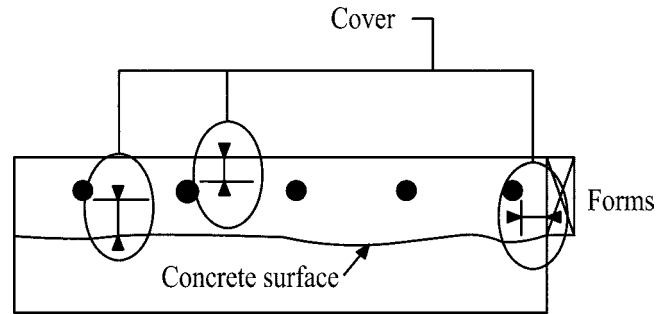


Fig. R1.3.3—Cover.

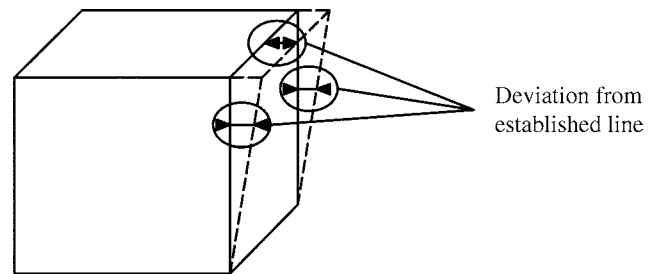
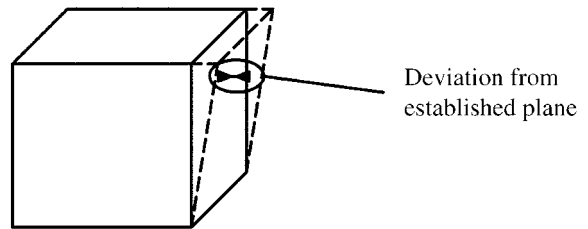
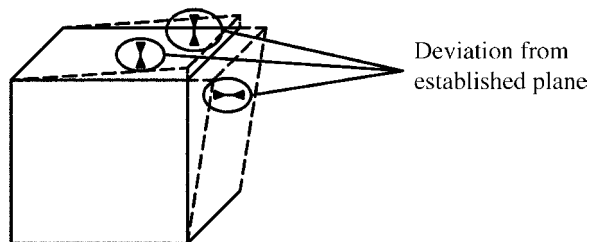


Fig. R1.3.4—Deviation.



(a)



(b)

Fig. R1.3.5—Deviation from plane.

SPECIFICATION

deviation, horizontal—departure from an established point, line, or surface, measured normal (perpendicular) to a vertical line through the point of interest.

deviation, vertical—departure from an established point, line, or surface, measured normal (perpendicular) to a horizontal line through the point of interest.

COMMENTARY

deviation, horizontal—refer to Fig. R1.3.6(a), (b), and (c).

deviation, vertical—refer to Fig. R1.3.7(a) and (b).

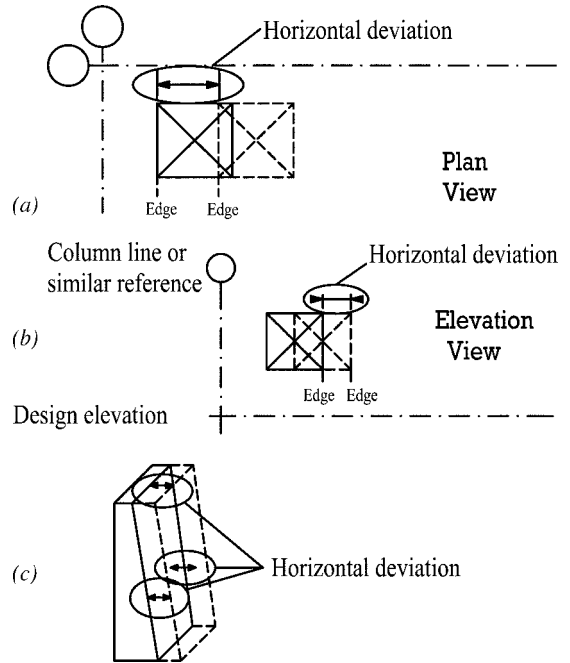


Fig. R1.3.6—Horizontal deviation.

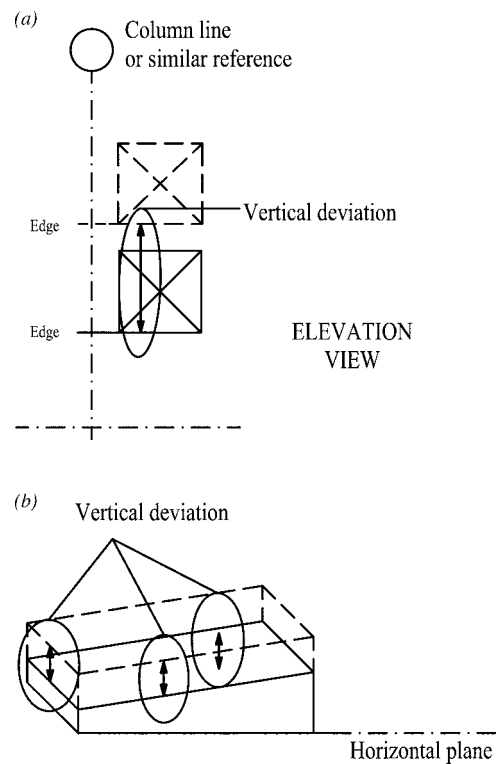


Fig. R1.3.7—Vertical deviation

SPECIFICATION

flatness—deviation of a surface from a plane.

footing—a structural element of a foundation that transmits loads directly to the soil.

foundation—a system of structural elements that transmit loads from the structure above to the earth.

levelness—deviation of a line or surface from a horizontal line or surface.

Project Drawings—graphic presentation of project requirements.

Project Specification—the written document that details requirements for the Work in accordance with service parameters and other specific criteria.

tolerance—the permitted deviation from a specified dimension, location, or quantity.

Work—the entire construction or separately identifiable parts thereof required to be furnished under Contract Documents.

COMMENTARY

Vertical deviation, horizontal deviation, and deviation from plumb are individually used to establish a tolerance envelope for each deviation type within which permissible variations can occur. Deviation from plane is used to determine the rate of change of adjacent points (slope tolerance) occurring within the tolerance envelope. In this fashion, the slope and smoothness of surfaces and lines within a tolerance envelope are controlled. Abrupt changes such as offsets, saw-toothing, and sloping of lines and surfaces properly located within a tolerance envelope may be objectionable for exposed concrete. The acceptable relative alignment of points on a surface or line is determined by using a slope tolerance. Effective use of a slope tolerance requires that the specific distance over which the slope is to be measured is established, and that the measurement device only contacts the surface at this specific distance.

flatness—refer to Fig. R1.3.8.

levelness—refer to Fig. R1.3.8.

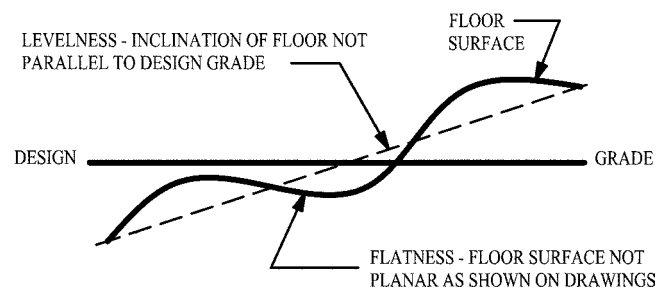


Fig. R1.3.8—Flatness and levelness.

SPECIFICATION**1.4—Reference standards***ASTM International*

C94/C94M-09	Standard Specification for Ready-Mixed Concrete
C174/C174M-06	Standard Test Method for Measuring Thickness of Concrete Elements Using Drilled Concrete Cores
C1383-04	Standard Test Method for Measuring the P-Wave Speed and the Thickness of Concrete Plates Using the Impact-Echo Method
D4748-06	Standard Test Method for Determining Thickness of Bound Pavement Layers Using Short-Pulse Radar
E1155-96 (2008)	Standard Test Method for Determining F_F Floor Flatness and F_L Floor Levelness Numbers
E1486-98 (2004)	Standard Test Method for Determining Floor Tolerances Using Waviness, Wheel Path and Levelness Criteria

COMMENTARY**R1.4—Informative references**

The documents listed below were the latest editions at the time this document was prepared. Because these documents are revised frequently, the reader is advised to contact the proper sponsoring group if it is desired to refer to the latest version.

American Concrete Institute

301	Specifications for Structural Concrete
304.6R	Guide for the Use of Volumetric-Measuring and Continuous Mixing Concrete Equipment
318	Building Code Requirements for Structural Concrete and Commentary

American Institute of Steel Construction

Design Guide 1: Base Plates and Anchor Rod Design

American Society of Concrete Contractors

Position Statement #14—Anchor Bolt Tolerances

ASTM International

C685/C685M Standard Specification for Concrete Made by Volumetric Batching and Continuous Mixing

Concrete Reinforcing Steel Institute

10MSP Manual of Standard Practice

Precast/Prestressed Concrete Institute

MNL-116	Manual for Quality Control for Plants and Production of Structural Precast Concrete Products
MNL-135	Tolerance Manual for Precast and Prestressed Concrete Construction

National Ready Mixed Concrete Association

Quality Control Manual—Section 3; Certification of Ready Mixed Concrete Production Facilities (Checklist)

Volumetric Mixer Manufacturers Bureau

VMMB 100 Volumetric Mixer Standards of the Volumetric Mixer Manufacturers Bureau

These publications may be obtained from:

American Concrete Institute
38800 Country Club Drive
Farmington Hills, MI 48331
www.concrete.org

American Institute of Steel Construction
One East Wacker Dr., Suite 700
Chicago, IL 60601
www.aisc.org

SPECIFICATION**COMMENTARY**

American Society of Concrete Contractors
2025 Brentwood Blvd.
St. Louis, MO 63144
www.asconline.org

ASTM International
100 Barr Harbor Dr.
West Conshohocken, PA 19428
www.astm.org

Concrete Reinforcing Steel Institute
933 North Plum Grove Rd.
Schaumburg, IL 60173
www.crsi.org

Precast/Prestressed Concrete Institute
200 W. Adams St., #2100
Chicago, IL 60606
www.pci.org

National Ready Mixed Concrete Association
900 Spring Street
Silver Spring, MD 20910
www.nrmca.org

Volumetric Mixer Manufacturers Bureau
900 Spring Street
Silver Spring, MD 20910
www.vmmmb.org

SECTION 2—MATERIALS

SPECIFICATION

2.1—Reinforcing steel fabrication and assembly

For bars No. 3 through 11 in size, refer to Fig. 2.1(a).

For bars No. 14 and 18 in size, refer to Fig. 2.1(b).

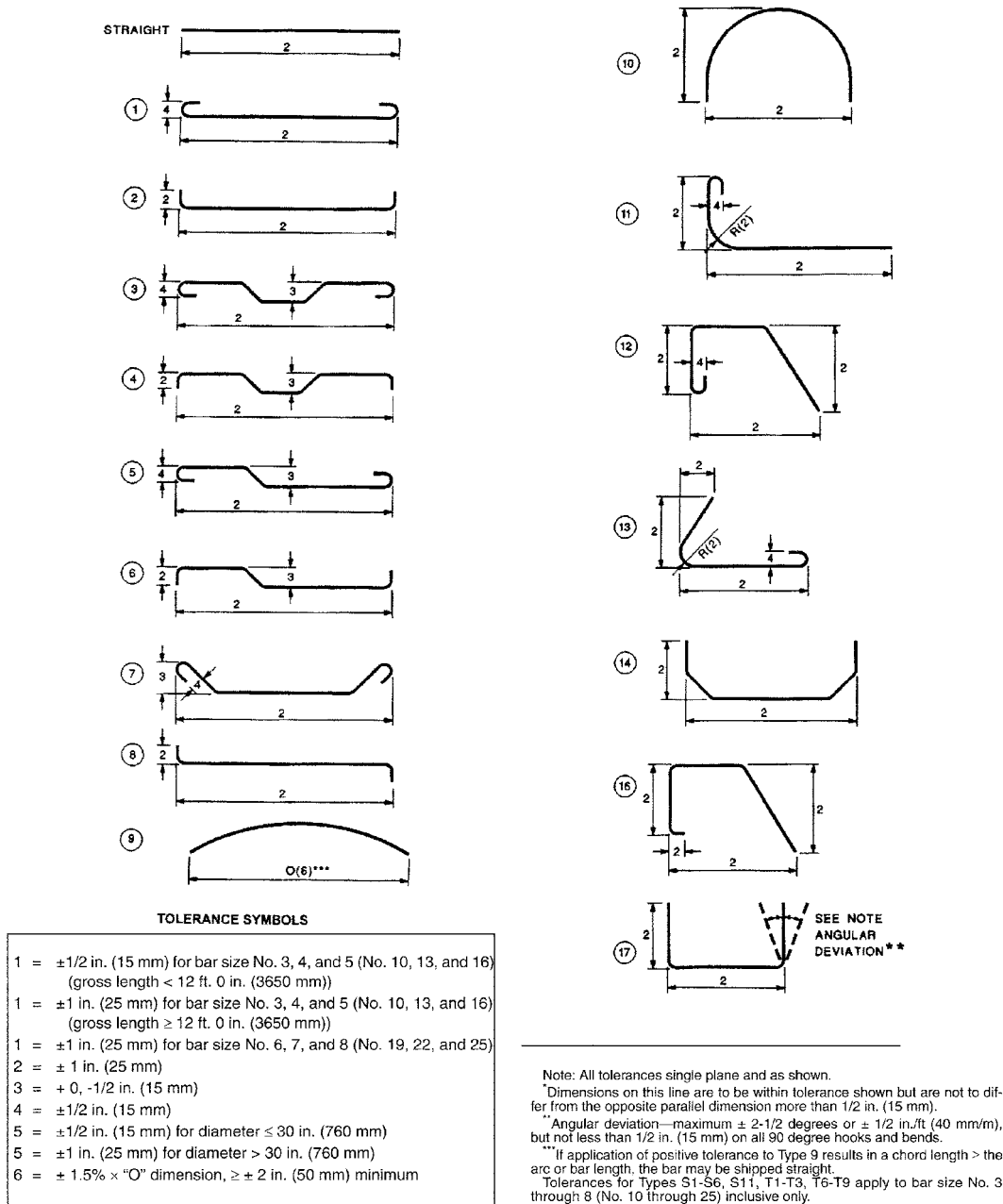
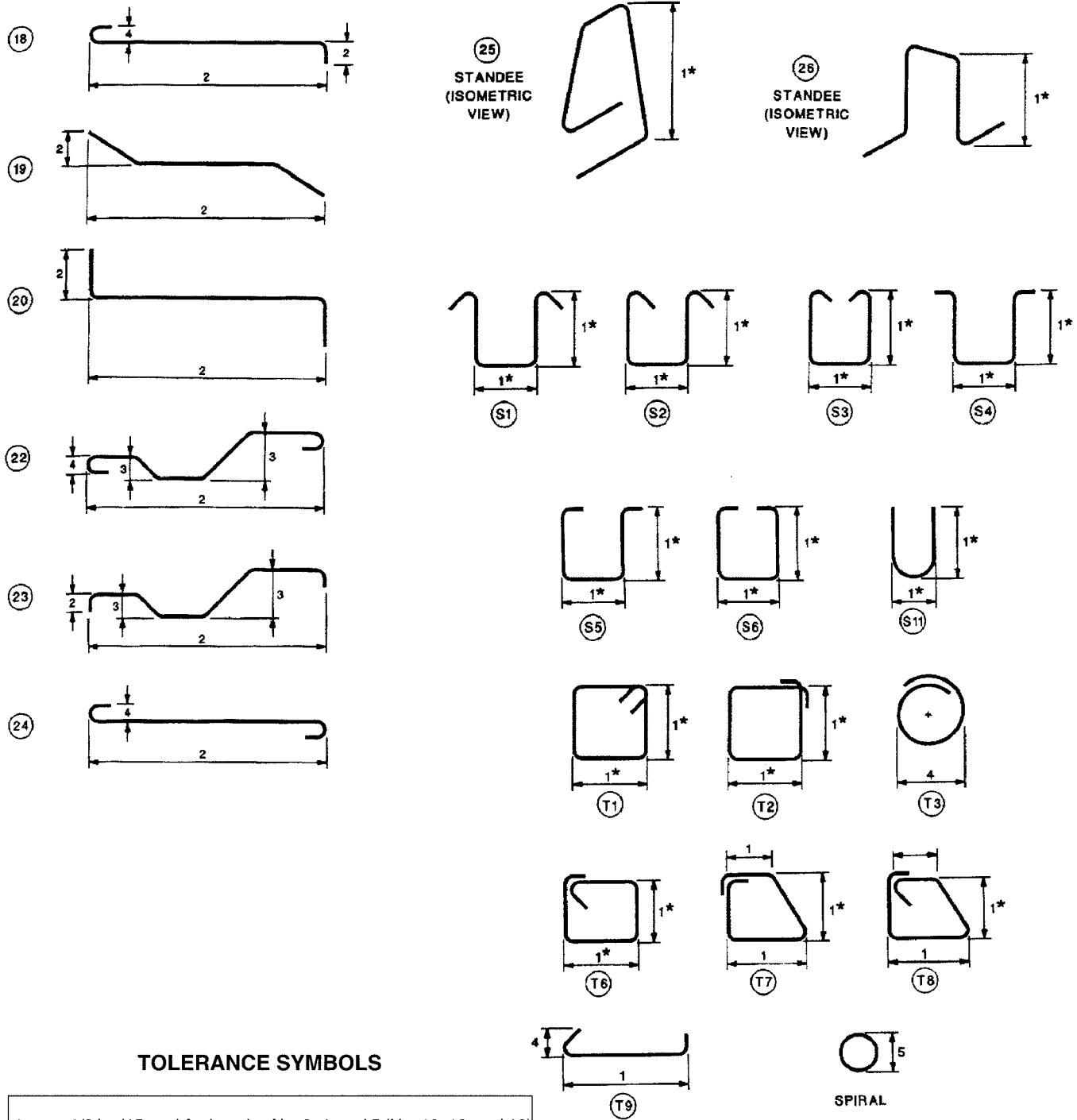


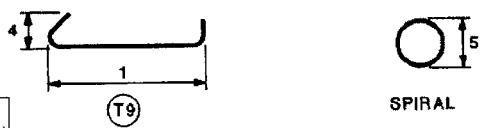
Fig. 2.1(a)—Standard fabricating tolerances for bar sizes No. 3 through 11. (Figure courtesy of Concrete Reinforcing Steel Institute.)

SPECIFICATION



TOLERANCE SYMBOLS

1	= ±1/2 in. (15 mm) for bar size No. 3, 4, and 5 (No. 10, 13, and 16) (gross length < 12 ft. 0 in. (3650 mm))
1	= ±1 in. (25 mm) for bar size No. 3, 4, and 5 (No. 10, 13, and 16) (gross length ≥ 12 ft. 0 in. (3650 mm))
1	= ±1 in. (25 mm) for bar size No. 6, 7, and 8 (No. 19, 22, and 25)
2	= ± 1 in. (25 mm)
3	= + 0, -1/2 in. (15 mm)
4	= ±1/2 in. (15 mm)
5	= ±1/2 in. (15 mm) for diameter ≤ 30 in. (760 mm)
5	= ±1 in. (25 mm) for diameter > 30 in. (760 mm)
6	= ± 1.5% × "O" dimension, ≥ ± 2 in. (50 mm) minimum

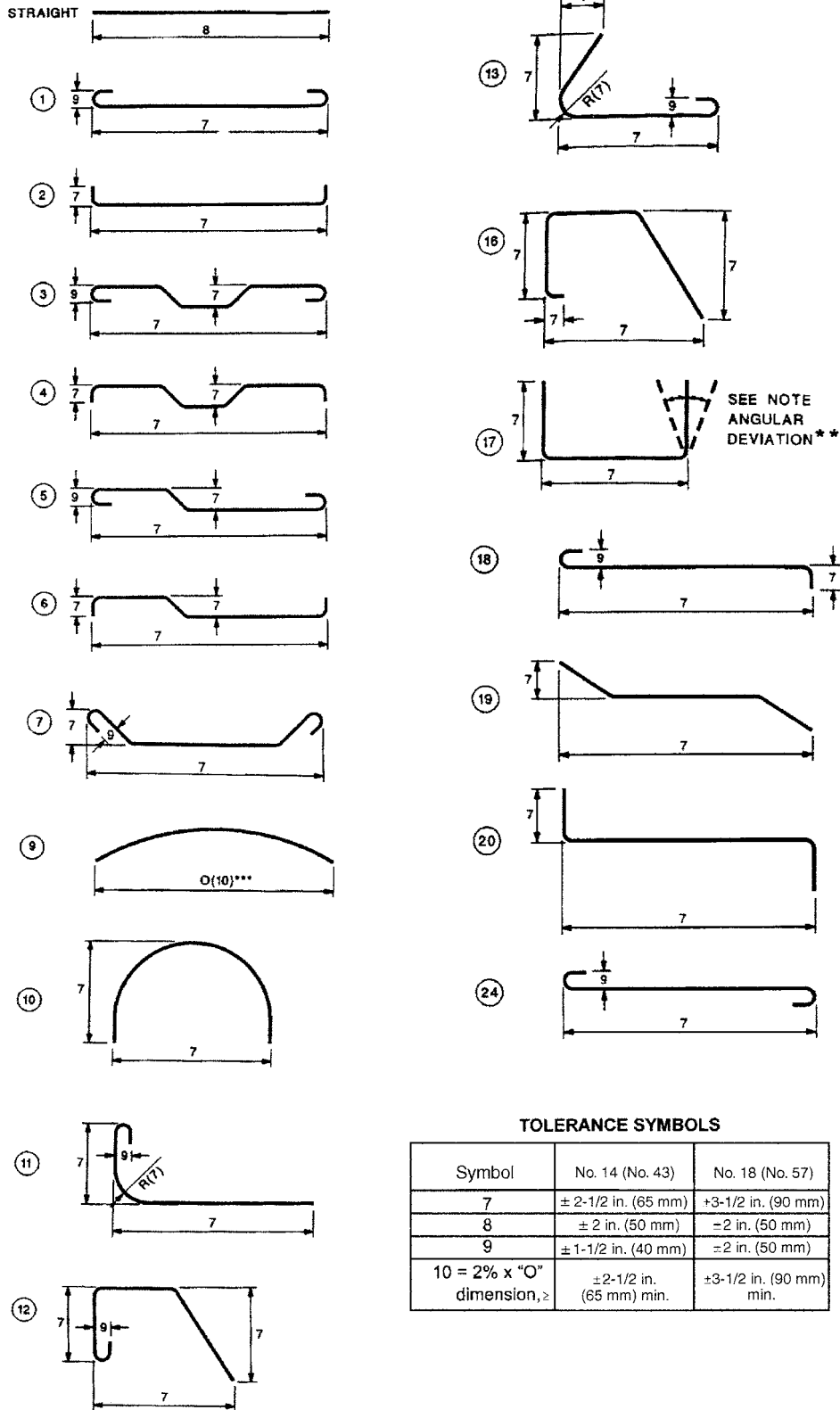


SPIRAL

Note: All tolerances single plane and as shown.
 *Dimensions on this line are to be within tolerance shown but are not to differ from the opposite parallel dimension more than 1/2 in. (15 mm).
 **Angular deviation—maximum ± 2-1/2 degrees or ± 1/2 in./ft (40 mm/m), but not less than 1/2 in. (15 mm) on all 90 degree hooks and bends.
 ***If application of positive tolerance to Type 9 results in a chord length ≥ the arc or bar length, the bar may be shipped straight.
 Tolerances for Types S1-S6, S11, T1-T3, T6-T9 apply to bar size No. 3 through 8 (No. 10 through 25) inclusive only.

Fig. 2.1(a) (cont.)—Standard fabricating tolerances for bar sizes No. 3 through 11. (Figure courtesy of Concrete Reinforcing Steel Institute.)

SPECIFICATION



Note: All tolerances single plane as shown.
 *Saw-cut both ends—Overall length ± 1/2 in. (15 mm).
 **Angular deviation—Maximum ± 2 1/2 degrees or ± 1/2 in./ft (40 mm/m) on all 90 degree hooks and bends.
 ***If application of positive tolerance to Type 9 results in a chord length ≥ the arc or bar length, the bar may be shipped straight.

Fig. 2.1(b)—Standard fabricating tolerances for bar sizes No. 14 and 18. (Figure courtesy of Concrete Reinforcing Steel Institute.)

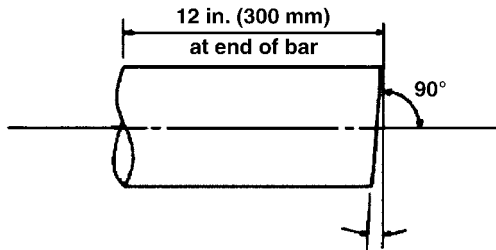
SPECIFICATION

COMMENTARY

For bars No. 8 through 18 in size used in end-bearing splices, refer to Fig. 2.1(c).

For all end-bearing splice assemblies, refer to Fig. 2.1(d).

For all bar sizes, specified minimum inside radius of bend -0 in.



Maximum deviation from "square" to the end 12 in. [300 mm] of the bar (bar sizes #8 through #18 [#25 through #57]) should be 1-1/2° for compression connections.

Fig. 2.1(c)—Maximum end deviation for bars No. 8 through 18 in size used in end-bearing splices. (Figure courtesy of Concrete Reinforcing Steel Institute.)

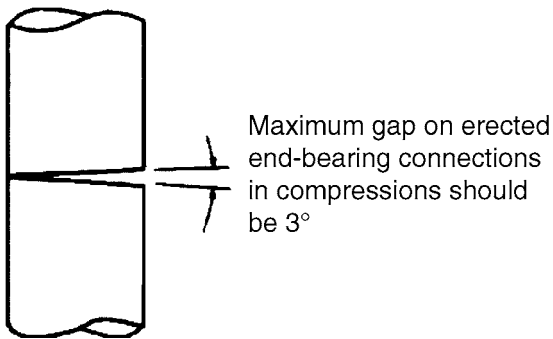


Fig. 2.1(d)—Maximum assembled gap for all bars used in end-bearing splices. (Figure courtesy of Concrete Reinforcing Steel Institute.)

SPECIFICATION

COMMENTARY

2.2—Reinforcement location

R2.2—Reinforcement location

2.2.1 Placement of nonprestressed reinforcement

When member depth (or thickness) is 4 in. or less
±1/4 in.

When member depth (or thickness) is over 4 in. and not over 12 in.....±3/8 in.

When member depth (or thickness) is over 12 in.
±1/2 in.

2.2.2 Concrete cover measured perpendicular to concrete surface

When member depth (or thickness) is 12 in. or less
-3/8 in.

When member depth (or thickness) is over 12 in.
-1/2 in.

Reduction in cover shall not exceed 1/3 the specified concrete cover.

Reduction in cover to formed soffits shall not exceed 1/4 in.

2.2.3 Vertical deviation for slab-on-ground reinforcement
±3/4 in.

The tolerance for *d*, as stated in ACI 318, is for use in a strength calculation and should not be used as a placement tolerance for construction.

R2.2.1, R2.2.2, and R2.2.3 Tolerances for fabrication, placement, and lap splices for welded wire reinforcement are not covered by ACI 117 and, if required, should be specified by the Specifier. Before placement of concrete, inspection of reinforcing bars for conformance to specified placement tolerances may involve measurements to formwork or soil. Refer to Fig. R2.2.1(a),(b), and (c). An absolute limitation on one side of the reinforcement placement is established by the limit on the reduction in cover. Refer to Fig. R2.2.2(a) to (d) and Fig. R2.2.3.

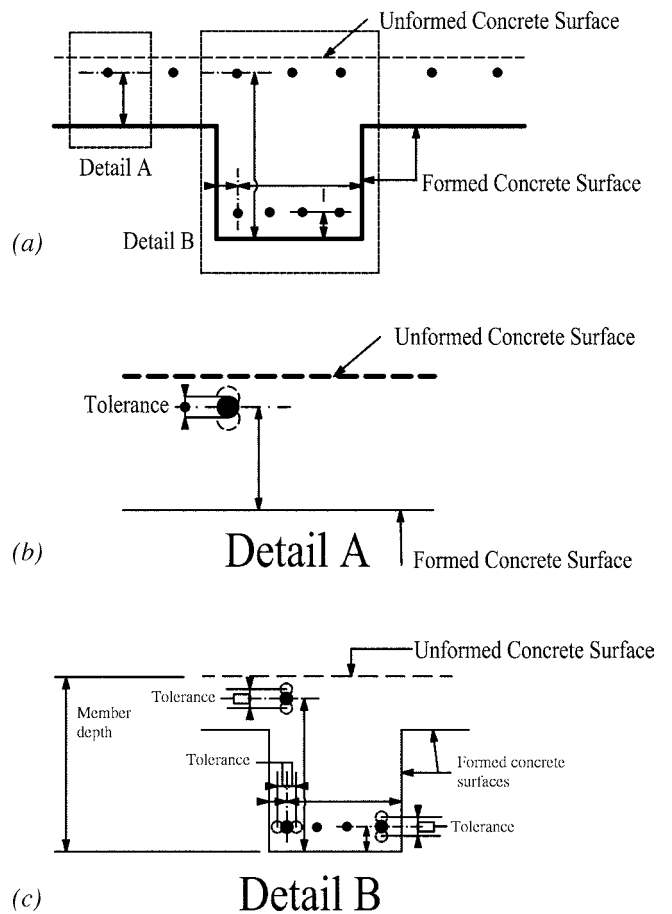


Fig. R2.2.1—Placement.

SPECIFICATION

COMMENTARY

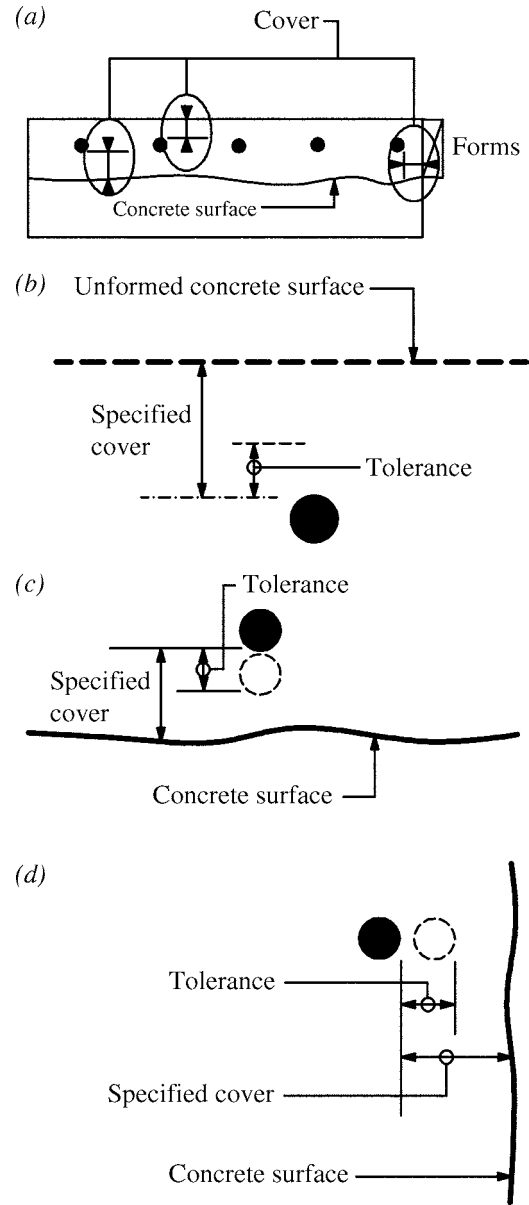


Fig. R2.2.2—Cover.

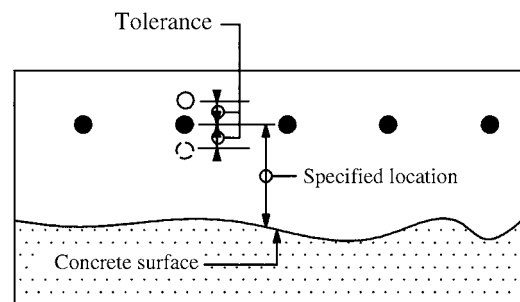


Fig. R2.2.3—Vertical placement.

SPECIFICATION

2.2.4 Clearance between reinforcement or between reinforcement and embedment

One-quarter specified distance not to exceed
±1 in.

Distance between reinforcement shall not be less than the greater of the bar diameter or 1 in. for unbundled bars.

For bundled bars, the distance between bundles shall not be less than the greater of 1 in. or a bar diameter derived from the equivalent total area of all bars in the bundle.

2.2.5 Spacing of nonprestressed reinforcement, measured along a line parallel to the specified spacing
 Except as noted below.....±3 in.

Stirrups, the lesser of ±3 in. or ±1 in. per ft of beam depth

Ties, the lesser of ±3 in. or ±1 in. per ft of least column width

The total number of bars shall not be fewer than that specified.

COMMENTARY

R2.2.4 and R2.2.5 The spacing tolerance of reinforcement consists of an envelope with an absolute limitation on one side of the envelope determined by the limit on the reduction in distance between reinforcement. In addition, the allowable tolerance on spacing should not cause a reduction in the specified number of reinforcing bars used. Designers are cautioned that selecting a beam width that exactly meets their design requirements may not allow for reinforcement placement tolerance. This sometimes happens when lap-spliced bars take up extra space and cannot accommodate the placement tolerance. Where reinforcement quantities and available space are in conflict with spacing requirements of these sections, the Contractor and designer might consider bundling a portion of the reinforcement. Bundling of bars requires approval of the designer. Refer to Fig. R2.2.4(a) to (e) and R2.2.5.

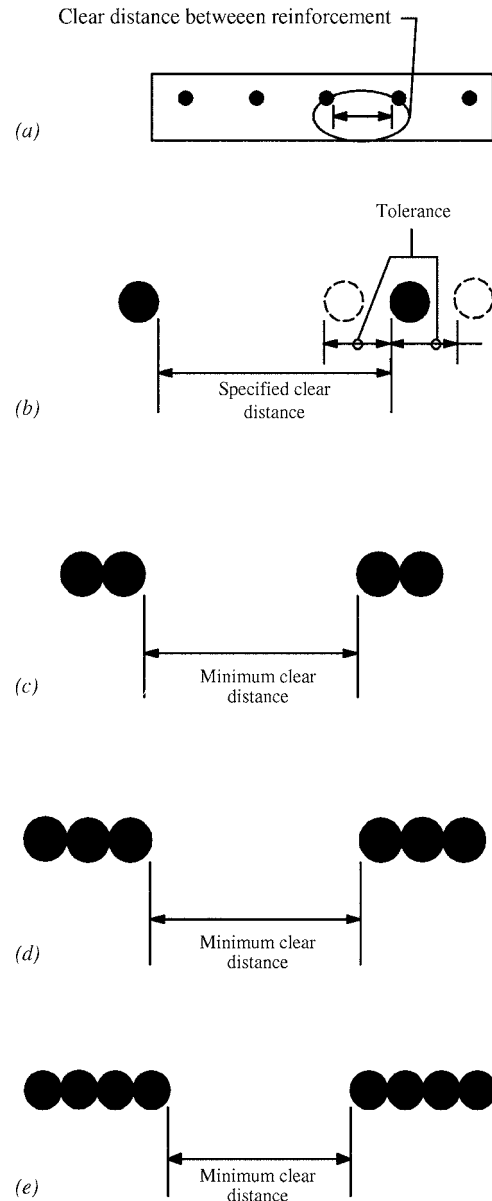


Fig. R2.2.4—Clear distance.

SPECIFICATION

COMMENTARY

2.2.6 Placement of prestressing reinforcement or prestressing ducts, measured from form surface

2.2.6.1 Horizontal deviation

Element depth (or thickness) 24 in. or less $\pm 1/2$ in.

Element depth (or thickness) over 24 in. ± 1 in.

2.2.6.2 Vertical deviation

Element depth (or thickness) 8 in. or less $\pm 1/4$ in.

Element depth (or thickness) over 8 in. and not over 24 in. $\pm 3/8$ in.

Element depth (or thickness) more than 24 in. $\pm 1/2$ in.

2.2.7 Longitudinal location of bends in bars and ends of bars

At discontinuous ends of corbels and brackets ... $\pm 1/2$ in.

At discontinuous ends of other elements ± 1 in.

At other locations ± 2 in.

2.2.8 Embedded length of bars and length of bar laps

No. 3 through 11 bar sizes -1 in.

No. 14 and 18 bar sizes -2 in.

Note: Total number of bars shall not be fewer than specified

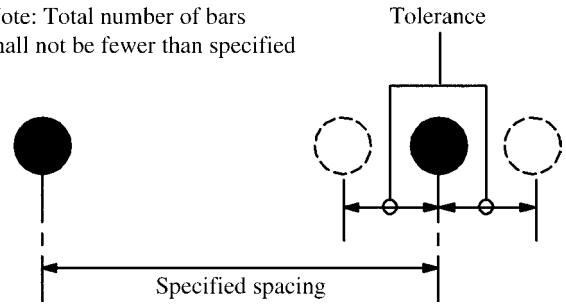


Fig. R2.2.5—Reinforcement spacing.

R2.2.6 The vertical deviation tolerance should be considered in establishing minimum prestressing tendon covers, particularly in applications exposed to deicer chemicals or salt-water environments where use of additional cover is recommended to compensate for placing tolerances. Slab behavior is relatively insensitive to horizontal location of tendons. Refer to Fig. R2.2.6(a) and (b).

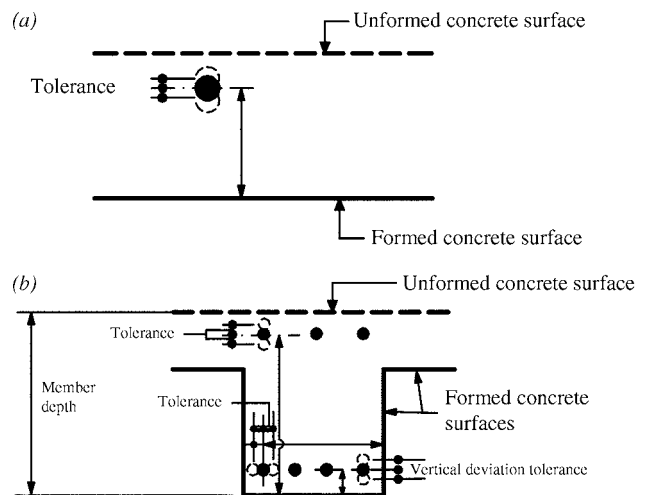


Fig. R2.2.6—Prestressing reinforcement placement.

R2.2.7 and R2.2.8 The tolerance for the location of the ends of reinforcing steel is determined by these two sections.

SPECIFICATION

2.2.9 Bearing plate for prestressing tendons, deviation from specified plane
 $\pm 1/4$ in. per ft, but not less than $\pm 1/8$ in.

2.2.10 Placement of smooth rod or plate dowels in slabs-on-ground

2.2.10.1 Centerline of dowel, vertical deviation measured from bottom of concrete slab at the joint for element depth 8 in. or less..... $\pm 1/2$ in.

When element depth is over 8 in. ± 1 in.

2.2.10.2 Spacing of dowels, measured along a line parallel to the specified spacing..... ± 3 in.

The total number of dowels shall not be fewer than that specified.

2.2.10.3 Centerline of dowel with respect to a horizontal line that is perpendicular to the plane established by the joint

Horizontal deviation $\pm 1/2$ in.

Vertical deviation..... $\pm 1/2$ in.

COMMENTARY

R2.2.9 The tolerance for conformance of prestressing tendon bearing plates to the specified plane is established by this section. Refer to Fig. R2.2.9.

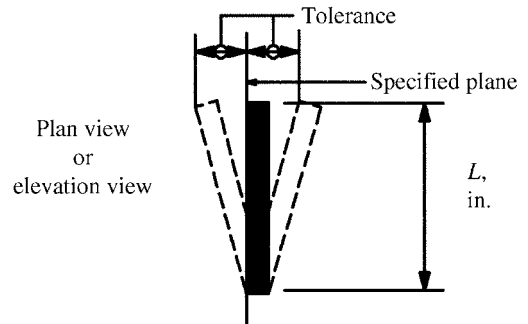


Fig. R2.2.9—Bearing plate for prestressing tendons.

R2.2.10 The tolerance for placement of dowels is determined by this section. Refer to Fig. R2.2.10.1, R2.2.10.2, and R2.2.10.3.

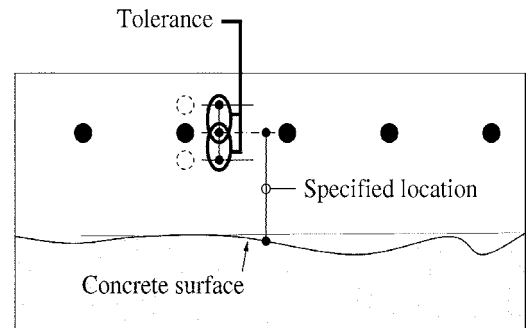


Fig. R2.2.10.1—Dowel placement.

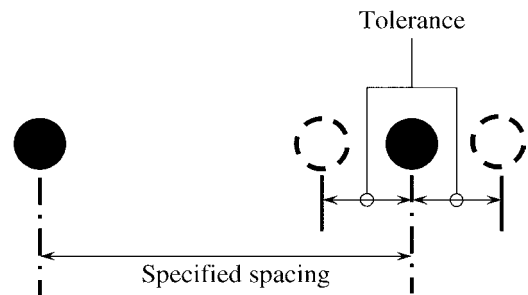


Fig. R2.2.10.2—Dowel spacing.

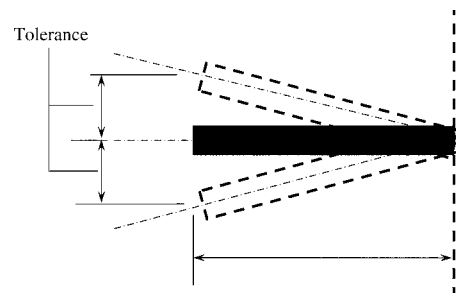


Fig. R2.2.10.3—Dowel deviation from line.

SPECIFICATION

2.3—Placement of embedded items, excluding dowels in slabs-on-ground

2.3.1 Clearance to nearest reinforcement shall be the greater of the bar diameter, largest aggregate size, or 1 in.

2.3.2 *Centerline of assembly from specified location*

Horizontal deviation ±1 in.

Vertical deviation ±1 in.

2.3.3 *Surface of assembly from surface of element*

Assembly dimension 12 in. or smaller
 ±1/2 in. per 12 in.
 but not less than ±1/4 in.

Assembly dimension greater than 12 in. ±1/2 in.

2.3.4 *Anchor bolts in concrete*

2.3.4.1 *Top of anchor bolt from specified elevation*

Vertical deviation ±1/2 in.

2.3.4.2 *Centerline of individual anchor bolts from specified location*

Horizontal deviation
 for 3/4 in. and 7/8 in. bolts ±1/4 in.
 for 1 in., 1-1/4 in., and 1-1/2 in. bolts ±3/8 in.
 for 1-3/4 in., 2 in., and 2-1/2 in. bolts ±1/2 in.

COMMENTARY

R2.3—Placement of embedded items, excluding dowels in slabs-on-ground

R2.3.1 The minimum clearance between reinforcement and embedded items is determined by this section. Refer to Fig. R2.3.1(a) and (b).

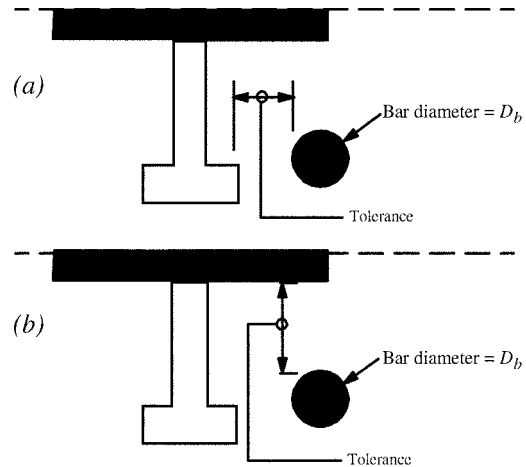


Fig. R2.3.1—Clear distance.

R2.3.3 The tolerance for the elevation of the top of anchor bolts is consistent with that contained in the American Institute of Steel Construction's Code of Standard Practice (10MSP). The tolerance for the location of anchor bolts is based on using oversized holes per the *AISC Design Guide 1: Base Plates and Anchor Rod Design*, recommendations of the Structural Steel Educational Council, and concrete contractor anchor bolt placement techniques. Refer to the American Society of Concrete Contractor's *Position Statement #14*.

SPECIFICATION

COMMENTARY

2.4—Concrete batching

R2.4—Concrete batching

Refer to Table 2.4.

Refer to ASTM C94/C94M and ACI 304.6R for additional information regarding concrete batching. ASTM C685/C685M provides information for concrete made with materials continuously batched by volume. The Volumetric Mixer Manufacturers Bureau (VMMB 100) provides standardized information concerning volumetric mixers.

Table 2.4—Concrete batching tolerances (ASTM C94/C94M)

Material	Tolerance
<i>Cementitious materials</i>	
30% of scale capacity or greater	±1% of required mass
Less than 30% of scale capacity	-0 to +4% of the required mass
<i>Water</i>	
Added water or ice, and free water on aggregates	±1% of the total water content (including added water, ice, and water on aggregates)
Total water content (measured by weight or volume)	±3% of total water content
<i>Aggregates</i>	
Cumulative batching:	
Over 30% of scale capacity	±1% of the required mass
30% of scale capacity or less	±0.3% of scale capacity or 3% of the required mass, whichever is less
Individual material batching	±2% of the required mass
<i>Admixtures</i>	±3% of the required amount or plus or minus the amount of dosage required for 100 lb of cement, whichever is greater

2.5—Concrete properties

R2.5—Concrete properties

2.5.1 Slump

R2.5.1 Where the specification has specified slump as a maximum, the Project Specifications should provide for one addition of water at the job site for slump adjustment, per ASTM C94/C94M, Section 6. Concrete slump should include a tolerance that allows for both plus or minus deviations so that concrete slumps are not underdesigned to avoid rejection. The water added at the job site should be within the water-cementitious material ratio (*w/cm*) limitations of the specifications or approved mixture proportions.

Where slump is specified as “maximum” or “not to exceed”

For all values.....+0 in.

Specified slump 3 in. or less-1-1/2 in.

Specified slump more than 3 in.....-2-1/2 in.

Where slump is specified as a single value

Specified slump 2 in. and less..... ±1/2 in.

Specified slump more than 2 in. but not greater than 4 in.....±1 in.

Specified slump more than 4 in.....±1-1/2 in.

Where slump is specified as a rangeno tolerance

Flowing concrete achieved by the incorporation of high-range water-reducing admixtures (HRWRAs) (also called superplasticizers) are regularly used at specified slumps of 7-1/2 in. or greater. In addition, it is difficult to measure high slumps accurately. Consideration should be given to eliminating a maximum slump when a HRWRA is used to achieve flowing concrete. When HRWRAs are used, concrete slump should be specified for the concrete mixture prior to the addition of the HRWRA.

The slump specified should always be evaluated to determine if it is suitable for delivery, placing, and reinforcement clearance.

SPECIFICATION

COMMENTARY

2.5.2 *Air content: where no range is specified, the air content tolerance is $\pm 1\frac{1}{2}\%$*

R2.5.2 When an air content range is specified, care should be given to address aggregate size and job-site requirements. The range should be adequately wide to accommodate the preceding.

SECTION 3—FOUNDATIONS

SPECIFICATION

3.1—Deviation from plumb

Note: Excavation shall be measured before concrete placement.

3.1.1 Category A—For unreinforced concrete piers extending through materials offering no or minimal lateral restraint (for example, water, normally consolidated organic soils, and soils that might liquefy during an earthquake)— $\pm 12.5\%$ of shaft diameter.

3.1.2 Category B—For unreinforced concrete piers extending through materials offering lateral restraint (soils other than those indicated in Category A)— $\pm 1.5\%$ of shaft length.

3.1.3 Category C—For reinforced concrete piers— $\pm 2.0\%$ of shaft length.

COMMENTARY

R3.1—Deviation from plumb

Refer to Fig. R3.1.1, R3.1.2, and R3.1.3.

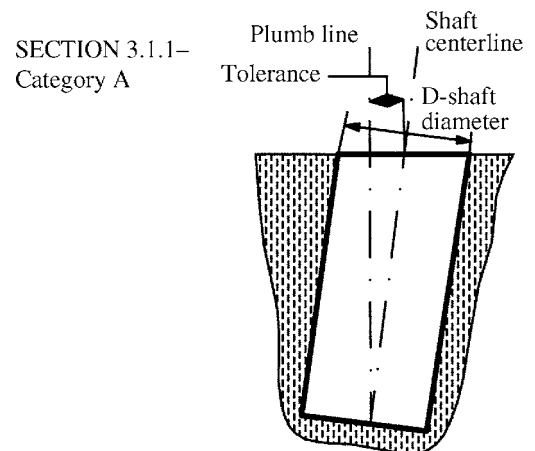


Fig. R3.1.1—Category A.

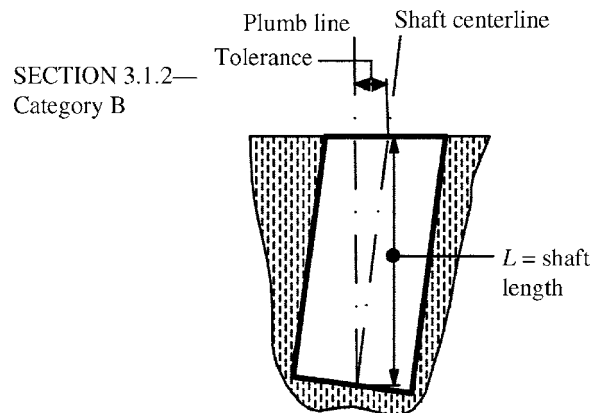


Fig. R3.1.2—Category B.

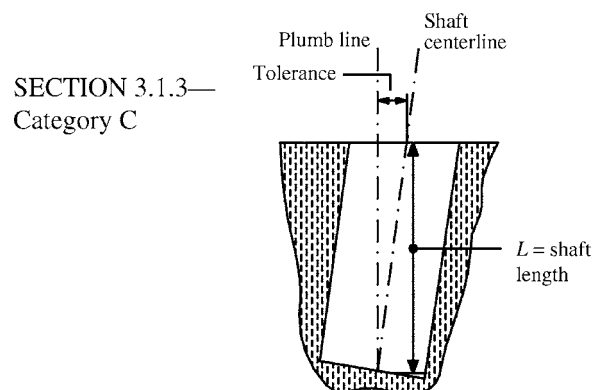


Fig. R3.1.3—Category C.

SPECIFICATION

3.2—Deviation from location

3.2.1 *Foundations, unless noted otherwise in this section*

Horizontal deviation of the as-cast edge:

Where dimension is 8 ft or more ± 2 in.

Where dimension is less than 8 ft

....the greater of $\pm 2\%$ of specified dimension or 1/2 in.

COMMENTARY

R3.2—Deviation from location

R3.2.1 Determines the permissible location of foundations or piers. The allowable deviation for the location of foundations or piers is governed by the dimension of the foundations or piers with an absolute limit, depending on whether the foundations or piers support concrete or masonry. Refer to Fig. R3.2.1(a) and (b).

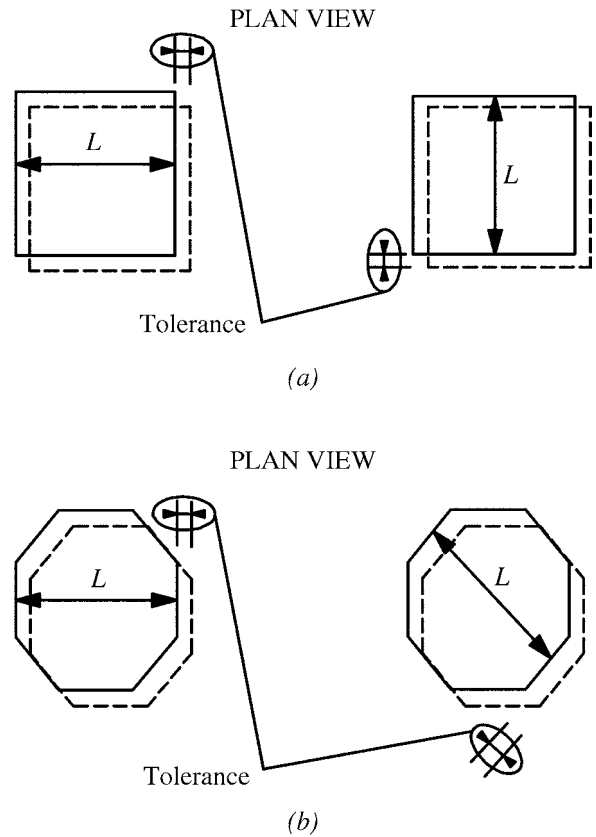


Fig. R3.2.1—Foundations, unless otherwise noted.

SPECIFICATION

3.2.2 Foundations supporting masonry

Horizontal deviation of the as-cast edge shall be the lesser of $\pm 2\%$ of the foundation's width or $\pm 1/2$ in.

COMMENTARY

R3.2.2 Foundations supporting masonry

Refer to Fig. R3.2.2(a) and (b).

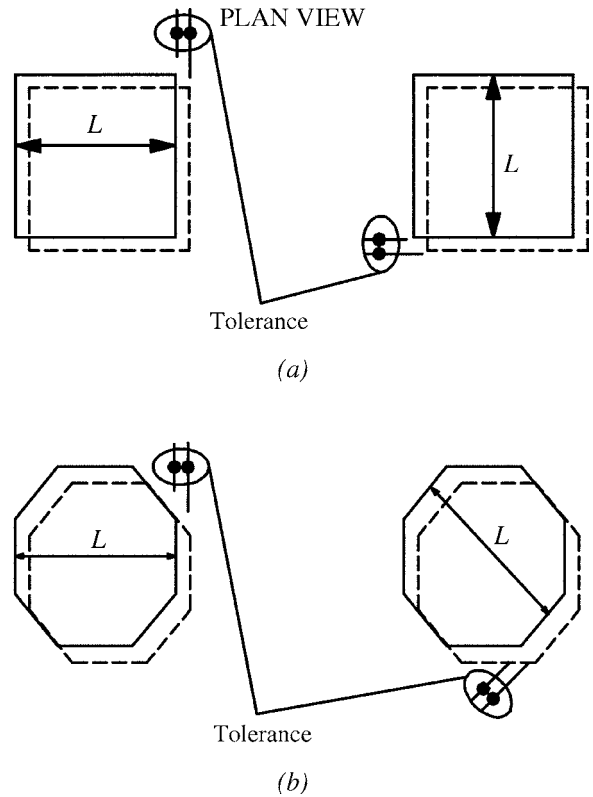


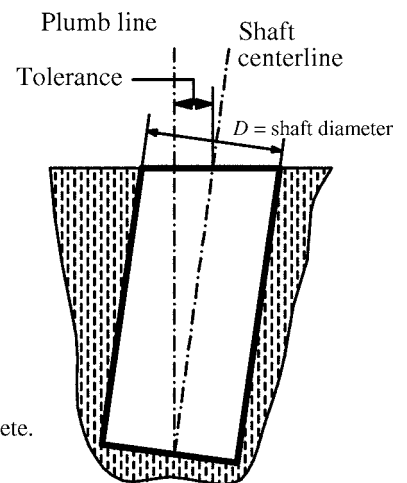
Fig. R3.2.2—Foundations supporting masonry.

3.2.3 Top of drilled piers

Horizontal deviation of the as-cast center shall be the lesser of 4.2% of the shaft diameter or ± 3 in.

R3.2.3 Top of drilled piers

Refer to Fig. R3.2.3.



NOTE: Excavation measured prior to placement of concrete.

Fig. R3.2.3—Top of drilled piers: horizontal deviation.

SPECIFICATION

3.3—Deviation from elevation

3.3.1 Top surface of foundations

Vertical deviation +1/2 in.
 -2 in.

3.3.2 Top surface of drilled piers

Vertical deviation +1 in.
 -3 in.

3.4—Deviation from plane

3.4.1 Base of bell pier

The lesser of 10% of the bell diameter or ± 3 in.

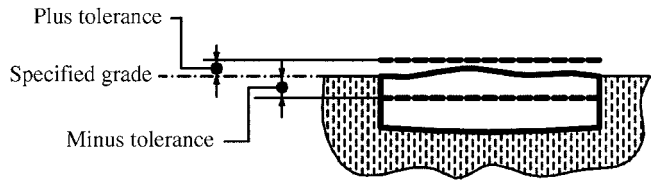
3.4.2 Top surface of footings at interface with supported element

Maximum gap between the concrete and the near surface of a 10 ft straightedge, measured between the support points, shall not exceed +1/2 in.

COMMENTARY

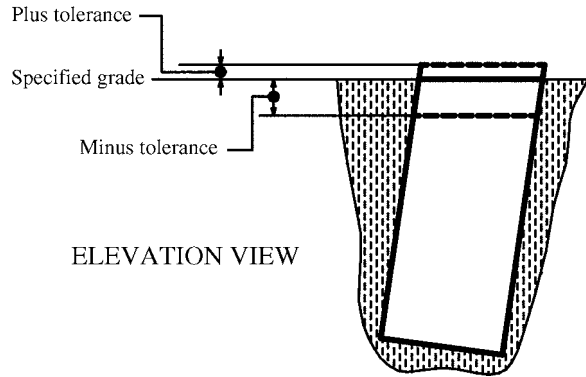
R3.3—Deviation from elevation

Determines the location of any point on the top surface of a footing relative to the specified plane. Refer to Fig. R3.3.1 and R3.3.2.



ELEVATION VIEW

Fig. R3.3.1—Top surface of foundations: vertical deviation.



ELEVATION VIEW

Fig. R3.3.2—Top surface of drilled piers: vertical deviation.

R3.4—Deviation from plane

Determines the allowable slope of the base of a bell pier. Refer to Fig R3.4.1.

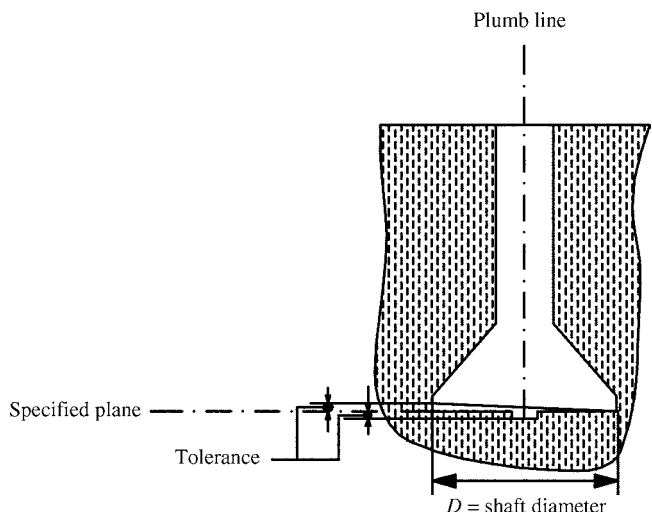


Fig. R3.4.1—Base of bell pier.